

# Notice to Mariners

Scottish Hydro Electric Power Distribution (SHEPD)

Pentland Firth East (3) Engineering Survey

Date of Issue: 28<sup>th</sup> February 2023

## Notice to Mariners

Please be advised that Rovco Ltd. (on behalf of Jan De Nul Luxembourg S.A.) shall be undertaking a Route Engineering Survey for the Pentland Firth East (3) project. The project will install a subsea power cable between Caithness at Murkle Bay to Rackwick Bay at Hoy. This Notice to Mariners relates only to route survey activities. Power cable installation activities will be covered in subsequent NtMs.

The works will be carried out by up to three survey vessels.

An overview of the cable route is shown in **Figure 1**. The working area that will be required for the duration of the Engineering survey is defined as a corridor  $\pm 200\text{m}$  ( $\pm$  meaning “either side”) around the preliminary cable route centre line.

**Table 1** lists the approximate preliminary Route Position coordinates of the centre line.

## LEGAL NOTICE

Please be advised that this Notice to Mariners should be treated as official notice of the nature, duration and location of the works which are scheduled to take place. During the period of this notice, we request that you plan your activities around our short-term, temporary activities.

**Any failure to remove equipment or entry into the identified location in a manner that would constitute a hazard may be a breach of your duties of safe seamanship as described in the Convention on International Regulations for Preventing Collisions at Sea 1972 and/or the Merchant Shipping Act 1995, and may result in removal of the relevant equipment. Failure to remove equipment or entry into the identified location in a manner that would constitute a hazard may constitute a breach of duty of care at common law, and a failure to protect submarine cables for successful seabed user co-existence under Scotland's National Marine Plan.**

**SHEPD shall found on this notice in the event of any damage, loss or disruption arising from failure to heed the information herein.**

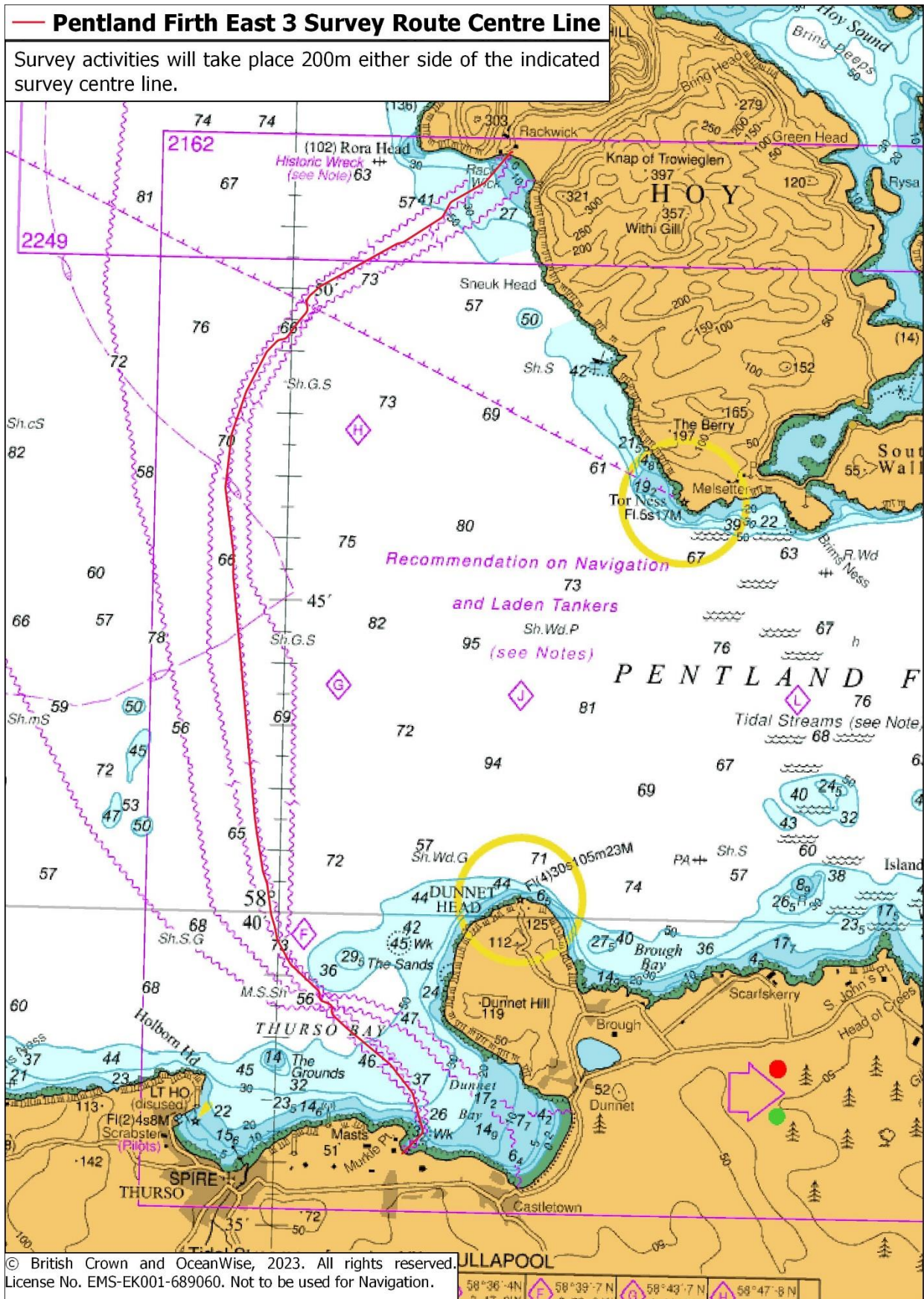


Figure 1: Survey Route Overview

**Table 1: Route Position**

Point	Lat DDM WGS84	Long DDM WGS84	WGS84 UTM Z30N E	WGS84 UTM Z30N N
1	58;36.20002N	003;26.00183W	474816.60	6495965.65
2	58;36.53189N	003;25.40685W	475396.73	6496577.83
3	58;37.14729N	003;25.75964W	475062.42	6497722.01
4	58;37.60262N	003;26.46228W	474387.76	6498571.37
5	58;38.16584N	003;27.81574W	473085.00	6499625.38
6	58;38.38319N	003;28.24927W	472668.35	6500031.64
7	58;38.76624N	003;28.72986W	472208.45	6500745.76
8	58;39.17805N	003;29.59515W	471377.04	6501516.02
9	58;39.56357N	003;30.01108W	470980.12	6502234.42
10	58;41.52148N	003;30.79063W	470254.12	6505873.43
11	58;45.35353N	003;31.61530W	469513.34	6512990.84
12	58;46.78803N	003;31.92004W	469240.62	6515655.22
13	58;47.64890N	003;31.76172W	469405.81	6517251.56
14	58;48.32535N	003;31.34540W	469816.61	6518503.74
15	58;48.98085N	003;30.74406W	470404.95	6519715.72
16	58;49.21156N	003;30.12499W	471004.09	6520139.35
17	58;49.63512N	003;29.52923W	471583.29	6520921.11
18	58;49.88942N	003;29.46339W	471650.11	6521392.57
19	58;50.04055N	003;29.12281W	471979.85	6521670.65
20	58;50.77234N	003;26.60478W	474411.51	6523011.87
21	58;51.19460N	003;25.40639W	475569.07	6523788.03
22	58;51.42893N	003;25.15852W	475810.14	6524221.40
23	58;51.75307N	003;24.13050W	476802.19	6524816.86
24	58;52.24790N	003;23.31931W	477587.36	6525730.55

The vessels carrying out the Engineering Survey works will be restricted in their ability to maneuver and will display the appropriate lights and shapes (two black spheres and in the middle a black diamond shape, in a vertical line). Other vessels are requested to pass at a safe speed and provide a minimum clearance of 500m (COLREGs Rule 16 & 18) from the vessels during marine operations. The survey vessels will monitor VHF Channel 16 at all times. Mobile contacts for the vessels are listed at the end of this NtM.

## Schedule of Operations

A summary of the Schedule of Operations for the survey activity is shown below in **Table 2**.

**Table 2: Schedule of Operations**

Dates	Vessel Scope	Vessel(s)
20 March – 26 April 2023	Engineering Survey	Glomar Supporter + Northerly Explorer (+ USV Muick-28 if needed)

## Vessel and Equipment Details

The vessels that are currently planned to carry out the marine survey activities are listed in **Table 3** below.

**Table 3: Vessel Details**





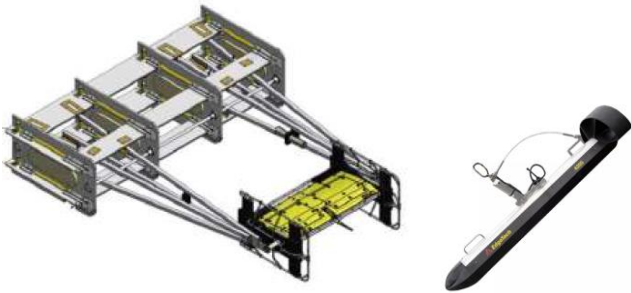
Vessel Photo	Vessel Description
	<p>Glomar Supporter            LOA: 60 m, Breadth: 15.6 m, Draft: 6 m            Call Sign: HOAL            IMO No: 9394301            MMSI No: 374689000</p> <p>Mobilized with Seaeye Leopard ROV</p>
	<p>Northerly Explorer            LOA: 12.5 m, Breadth: 4.88 m, Draft: 1.2 m            Call Sign: 2GLF8            MMSI No: 235098358</p>
	<p>Muick-28 USV            LOA: 2.8 m, Breadth: 1.2 m, Draft: 0.3 m            Call Sign: N/A            MMSI No: N/A            (Deployed from shore)</p>

Table 4: Equipment Details

Equipment Photo	Equipment Description
	<p>Seaeye Leopard Remotely Operated Vehicle will be utilized.</p> <p>Length: 2.15 m Width: 1.20 m Height: 1.16 m Weight in Air: 1.2 Te</p>
	<p>Eiva Scanfish Remotely Operated Towed Vehicle and Mag sensors + Edgetech 4205 towed SSS ➔ Will be deployed near seabed</p> <p>(for ROTV) Length: 4.33 m Width: 2.73 m Height: 2.77 m Weight in Air: 1.5 Te +payload</p>

## Works Description

The primary objectives of the Engineering works are to:

- Prepare, verify the cable installation route
- Prepare crossings of in-service utilities and determine crossing locations
- Ensure clearance ahead of the installation and burial operations

The Engineering Survey campaign will encompass

- Inshore and offshore geophysical survey along the entire preliminary cable route as defined in **Table 1** and covering a corridor of  $\pm 200\text{m}$  ( $\pm$  equals “either side”)
- UXO gradiometer/magnetometer survey in areas of high risk (not along the complete route as defined in **Table 1**), covering a corridor of  $\pm 200\text{m}$  ( $\pm$  equals “either side”) from the Route. For inshore and offshore survey this will be a towed arrangement.

Three vessels will be used for these Engineering Survey:

- Inshore vessel (Northerly Explorer) working from nearshore to approximately the 10m LAT contour, 12h or 24h survey operations.
- Offshore vessel (Glomar Supporter) working as from 10m LAT contour onward in 24h survey operations.
- USV (Muick 28) may be used in the shallowest nearshore parts with visual (remote) control over it.

Equipment calibration operations may take place out of the defined corridor and these areas will be chosen so as not to interfere with fishing/shipping activity.

### Contact Details

The vessels contact details are given in the tables below:

<b>Glomar Supporter</b>	
MMSI	374689000
Call sign	HOAL
Offshore Contact	Mikhail Kravchenko
Email	<a href="mailto:bridge@glomarsupporter.com">bridge@glomarsupporter.com</a>
Tel	+31626812049

<b>Northerly Explorer</b>	
MMSI	374689000
Call sign	2GLF8
Offshore Contact	Paul Philips
Email	<a href="mailto:info@northerlymarineservices.co.uk">info@northerlymarineservices.co.uk</a>
Tel	+44 (0)782 545 9242

<b>Muick 28 USV</b>	
MMSI	N/A
Call sign	N/A
Offshore Contact	Matthew Tait
Email	<a href="mailto:Matthew.Tait@rovco.com">Matthew.Tait@rovco.com</a>
Tel	+44 (0)117 230 0001

### Fishing Liaison Officers

Fishing liaison for the survey activities will be co-ordinated by Brown and May Marine (BMM). For any commercial fishery queries please contact the Company Fishing Liaison Officer (CFLO) Alex Winrow-Giffin (07760 160039/[alex@brownmay.com](mailto:alex@brownmay.com)). The local Fishing Industries Representatives (FIR) are James Bremner (07889 760299/ [bremnj@aol.com](mailto:bremnj@aol.com)) on the mainland and Chris Davidson in Orkney (07810 305100/[cad17@hotmail.co.uk](mailto:cad17@hotmail.co.uk)). The vessel master will issue regular broadcasts whilst construction and survey works are ongoing to ensure minimal disruption and that vessels maintain an appropriate and safe distance.

### Distribution List

The Distribution List of the Notice to Mariners is as per the stakeholder list in the Fisheries Liaison and Management Action Plan (FLMAP).